

Елемент Аigner филтърен за пневматични системи 20 μm ,
T540



T500**Piastrina di Collegamento / Connection Plate**

Codice / Code

T50000000000	FRL 0
T50010000000	FRL 1
T50020000000	FRL 2
T50030000000	FRL 3

T505**Gruppo Terminali / Ends Unit**

Codice / Code

T505102000000	FRL 1 1/8
T505103000000	FRL 1 1/4
T505104000000	FRL 1 3/8
T505203000000	FRL 2 1/4
T505204000000	FRL 2 3/8
T505205000000	FRL 2 1/2
T505305000000	FRL 3 1/2
T505307000000	FRL 3 3/4
T505309000000	FRL 3 1"

T510**Gruppo di Collegamento / Connection Unit**

Codice / Code

T510102000000	FRL 1 1/8
T510103000000	FRL 1 1/4
T510104000000	FRL 1 3/8
T510203000000	FRL 2 1/4
T510204000000	FRL 2 3/8
T510205000000	FRL 2 1/2
T510305000000	FRL 3 1/2
T510307000000	FRL 3 3/4
T510309000000	FRL 3 1"

T540**Gruppo Portafiltro / Filter Ring Device**

Codice / Code

T540000100000	FRL 0 5 µm
T540000200000	FRL 0 20 µm
T540000300000	FRL 0 50 µm
T540100100000	FRL 1 5 µm
T540100200000	FRL 1 20 µm
T540100300000	FRL 1 50 µm
T540200100000	FRL 2 5 µm
T540200200000	FRL 2 20 µm
T540200300000	FRL 2 50 µm
T540300100000	FRL 3 5 µm
T540300200000	FRL 3 20 µm
T540300300000	FRL 3 50 µm

MAN01**Manometro / Manometer**

Codice / Code

MAN0102040000	Ø40 0-12 bar R1/8
---------------	-------------------

REG09**Gruppo Membrana / Membrane Unit**

Codice / Code

REG09001700SC	FRL 0
REG09101700SC	FRL 1
REG09201700SC	FRL 2
REG09301700SC	FRL 3

Gruppo Venturi / Venturi Unit



Codice / Code	
T55000000000	FRL 0
T55010000000	FRL 1
T55020000000	FRL 2
T55030000000	FRL 3

T560 Gruppo Dosatore Olio / Oil Feeding Device



Codice / Code	
T56010000000	FRL 0
T56010000000	FRL 1
T56010000000	FRL 2
T56010000000	FRL 3

T570 Gruppo di Regolazione / Regulating Device



Codice / Code	
T570000010000	FRL 0 0-2 BAR
T570000020000	FRL 0 0-4 BAR
T570000030000	FRL 0 0-8 BAR
T570000040000	FRL 0 0-12 BAR
T570100010000	FRL 1 0-2 BAR
T570100020000	FRL 1 0-4 BAR
T570100030000	FRL 1 0-8 BAR
T570100040000	FRL 1 0-12 BAR
T570200010000	FRL 2 0-2 BAR
T570200020000	FRL 2 0-4 BAR
T570200030000	FRL 2 0-8 BAR
T570200040000	FRL 2 0-12 BAR
T570300010000	FRL 3 0-2 BAR
T570300020000	FRL 3 0-4 BAR
T570300030000	FRL 3 0-8 BAR
T570300040000	FRL 3 0-12 BAR

T580 Gruppo Tappo Regolatore / Regulating Plug Unit



Codice / Code	
T580000000000	FRL 0
T580100000000	FRL 1
T580200000000	FRL 2
T580300000000	FRL 3

T590 Gruppo Otturatore + Filtro / Shutter + Filter Unit



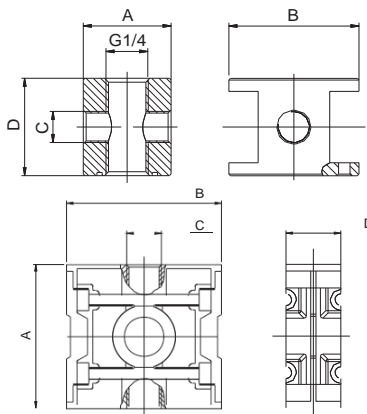
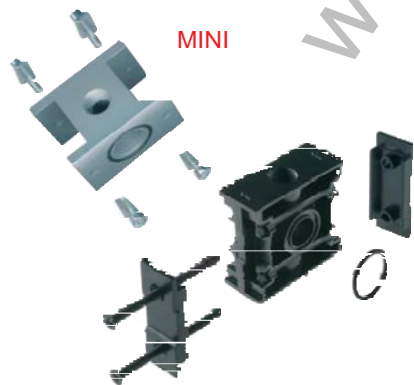
Codice / Code	
T590000100000	FRL 0 5 µm
T590000200000	FRL 0 20 µm
T590000300000	FRL 0 50 µm
T590100100000	FRL 1 5 µm
T590100200000	FRL 1 20 µm
T590100300000	FRL 1 50 µm
T590200100000	FRL 2 5 µm
T590200200000	FRL 2 20 µm
T590200300000	FRL 2 50 µm
T590300100000	FRL 3 5 µm
T590300200000	FRL 3 20 µm
T590300300000	FRL 3 50 µm

FIL04 Filtro Sinterizzato / Sintered Filter



Codice / Code	
FIL04003805SC	FRL 0 5 µm
FIL04003820SC	FRL 0 20 µm
FIL04003850SC	FRL 0 50 µm
FIL04101005SC	FRL 1 5 µm
FIL04101020SC	FRL 1 20 µm
FIL04101050SC	FRL 1 50 µm
FIL04201005SC	FRL 2 5 µm
FIL04201020SC	FRL 2 20 µm
FIL04201050SC	FRL 2 50 µm
FIL04301005SC	FRL 3 5 µm
FIL04301020SC	FRL 3 20 µm
FIL04301050SC	FRL 3 50 µm

DIS00 Distributore d'Aria / Air Distributor



Codice / Code	A	B	C	D
DIS0001100NE	FRL 0	27	40	1/8 30
DIS0010800NE	FRL 1	42	45	1/4 24
DIS0020800NE	FRL 2	55	59	1/4 24
DIS0030800NE	FRL 3	65	70	3/8 32

T520 Gruppo Tazza Filtro / Bowl for Filter Unit
MINI


Codice / Code	
T52000001000	FRL 0
T520100001000	FRL 1
T520200001000	FRL 2
T520300001000	FRL 3

T525
Gruppo Tazza Scarico Condensa Automatico Bowl for Automatic Condensed Exhaust

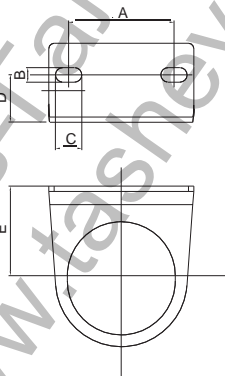

Codice / Code	
T525200002000	FRL 2
T525300002000	FRL 3

T530 Gruppo Tazza Lubrificatore / Bowl for Lubricator Unit
MINI


Codice / Code	
T530000001000	FRL 0
T530100001000	FRL 1
T530200001000	FRL 2
T530300001000	FRL 3

T535
Gruppo Tazza Caricamento automatico olio Bowl for Automatic oil loading system


Codice / Code	
T535100000200	FRL 1
T535200000200	FRL 2
T535300000200	FRL 3

REG16
Staffa di Fissaggio / Clamp Bracket


Codice / Code	A	B	C	D	E
REG16005000NE FRL 0	21.5	5.5	12	15	31
REG16105000NE FRL 1	28	5.5	10	15	29
REG16205000NE FRL 2	40	5.5	10	18	35
REG16305000NE FRL 3	50	5.5	10	20	39

SOL01
Solenoide / Solenoid

SOL01220A2000 220V



Codice / Code	
SOL01024C1000	24V DC 3W

 Продукт: [Елемент Aignep филтърен за пневматични системи 20 µm, T540](#)

 Категория: [Подготовка на сгъстен въздух](#)

 Бранд: [Aignep](#)

 Категория бранд: [Елемент Aignep](#)